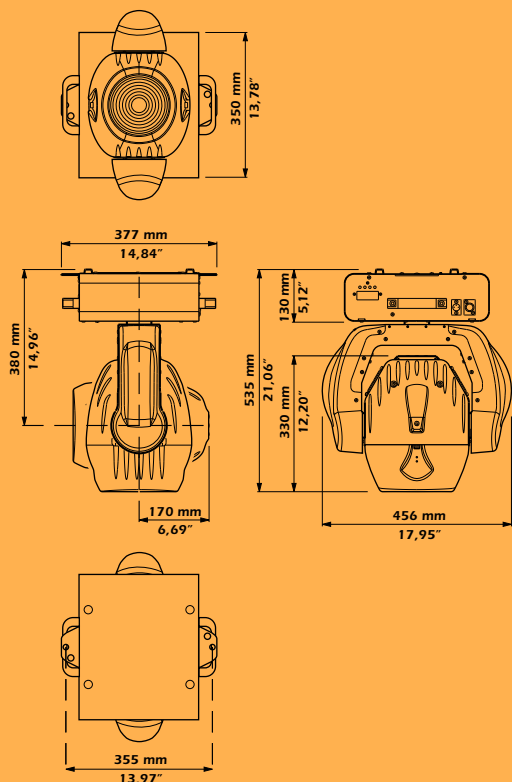


ProWash

250 LX



Body

- self-extinguish and fire-retardant class V0 ABS material and aluminium light alloy and steel internal components
- GY 9,5 lamp base
- sturdy lateral handles for easy transport
- silent convection cooling
- easy access to all internal parts
- IP20 protection rate
- meets standards CE

Lamp

- 250W MSD/2 Philips

Optics

- parabolic aluminium coated reflector
- zoom system composed by a diffusing fresnel lens, adjustable position
- lamp adjustment accessible from outside the fixture

Movement

- articulated movement of the projector body: pan 530° tilt 284°
- 16 bit light beam positioning

Dimmer

- built-in mechanical electronically controlled dimmer for complete adjustment of light output from 0 to 100%

Strobe/Chaser/Black-out

- strobing effect with adjustable flashing speed, synchronised or random
- fading pulse effect
- black-out
- programmable chaser effect with adjustable speed

Colour

- CMY colour changing system
- colour wheel, 6 solid colour plus white
- rainbow effect
- possibility to create multicolour effects
- CTO filter
- CTB filter

Beam shaping device

- rotating filter (beam shaping) for 180° shaping (par effect)
- diffusion filter to optimise an even light output

Beam angle

- Manual adjustment: from 6,5° to 18,5° (half peak angle) from 14° to 31° (1/10 peak angle)
- maximum angle: 45°

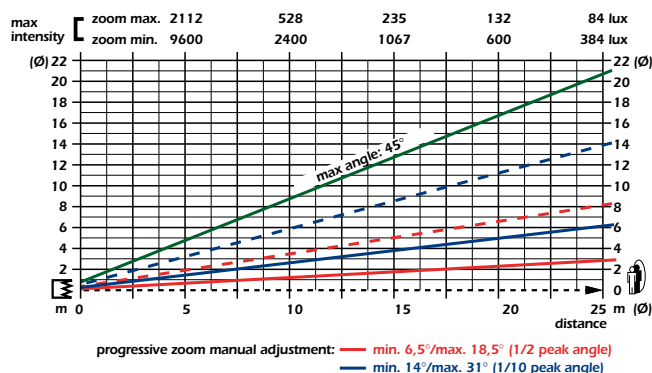
Hardware devices

- DMX signal reception indicator and characteristic feature display
- control by DMX 512 standard signal via 3 pin XLR
- mains switch
- micro-step driven stepper motors
- 4 menu/function buttons for selecting the operation mode
- led display
- over temperature protection
- ultra-flexible torsion cables conductors

Software devices

- digital numeric addressing of the projector via digital multifunction display
- on/off display
- indication of the lamp and the fixture working life
- ventilation regulated by an internal timer
- display can be inverted
- electronic motor adjustment
- lamp on/off via DMX signal with ability to disable
- reversal of pan and tilt movement
- repositioning in case of accidental misalignment of the fixture and ability to disable
- built-in features test facility
- lamp on/off ability without pan/tilt movement
- software version indication
- unit is set for remote display reading

ds1
DISPLAY REPLICATOR



Lamp: 250W MSD/2 Philips